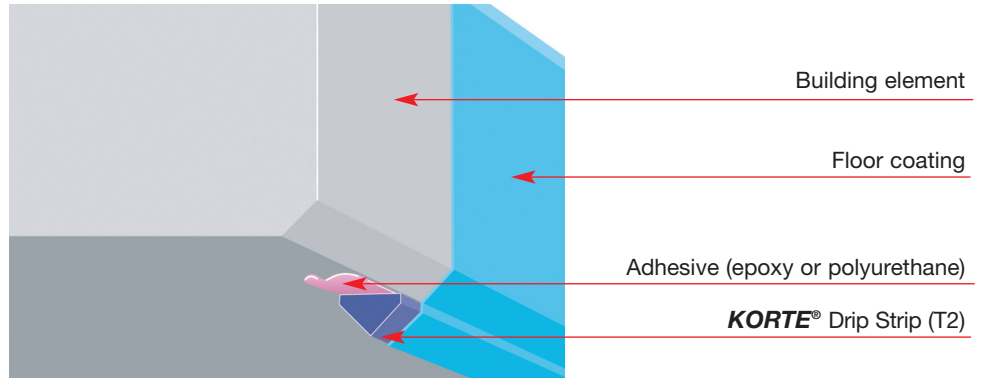


KORTE® Drip Strips and Spitters

- The perfect solution for **clean facades, vertical surfaces** and **horizontal undersides** – for **new buildings** and **refurbishments**
- **Industrially prefabricated profiles** – ready for use
- To **avoid contamination of facades** and to **increase the concrete cover**

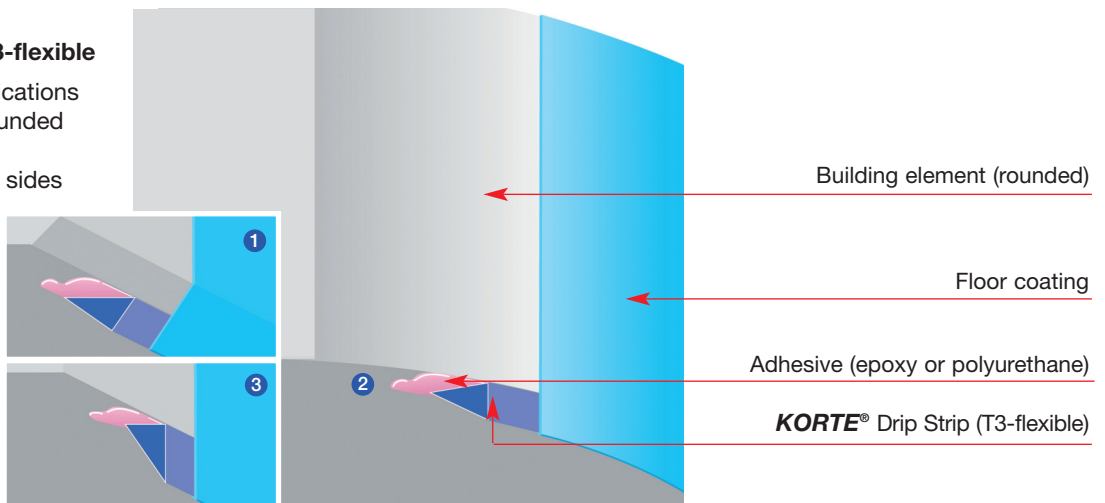
■ KORTE® Drip Strip Type T2

- Instead of normal water drips: isoscleral drip strip profile T2, glued at bevel/edge



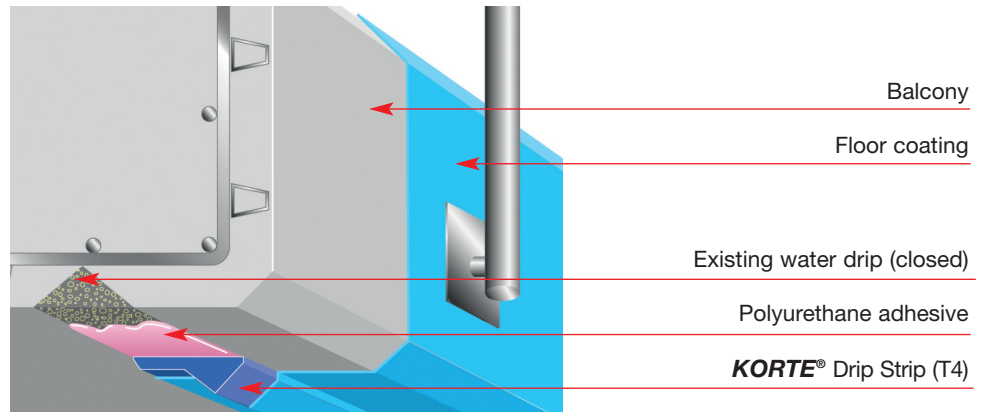
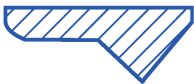
■ KORTE® Drip Strip Types T3-rigid or T3-flexible

- For standard applications on straight and rounded building elements
- Adhesive on three sides



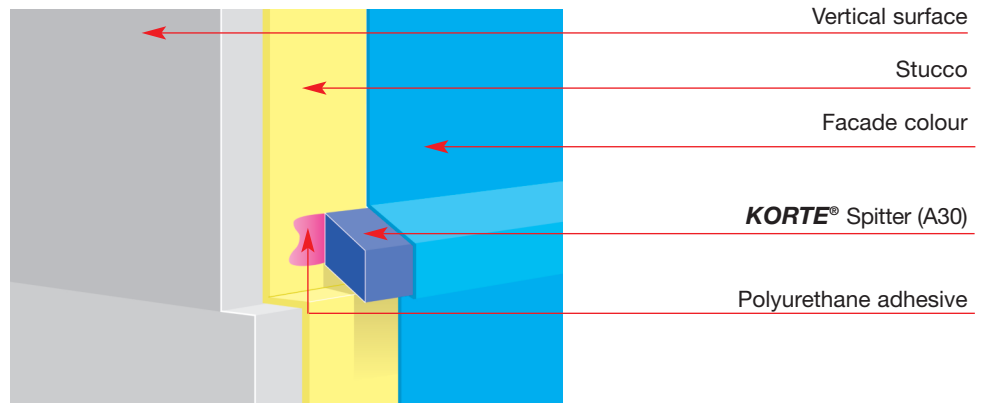
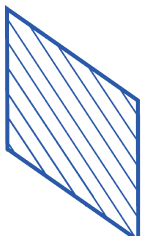
■ KORTE® Drip Strip Type T4

- Especially for renovating water drips



■ KORTE® Spitter Types A15 / A30 / A45 For vertical surfaces

- Over windows
- Over cracks
- Over projections



Projektnr. korte_engl_06_15